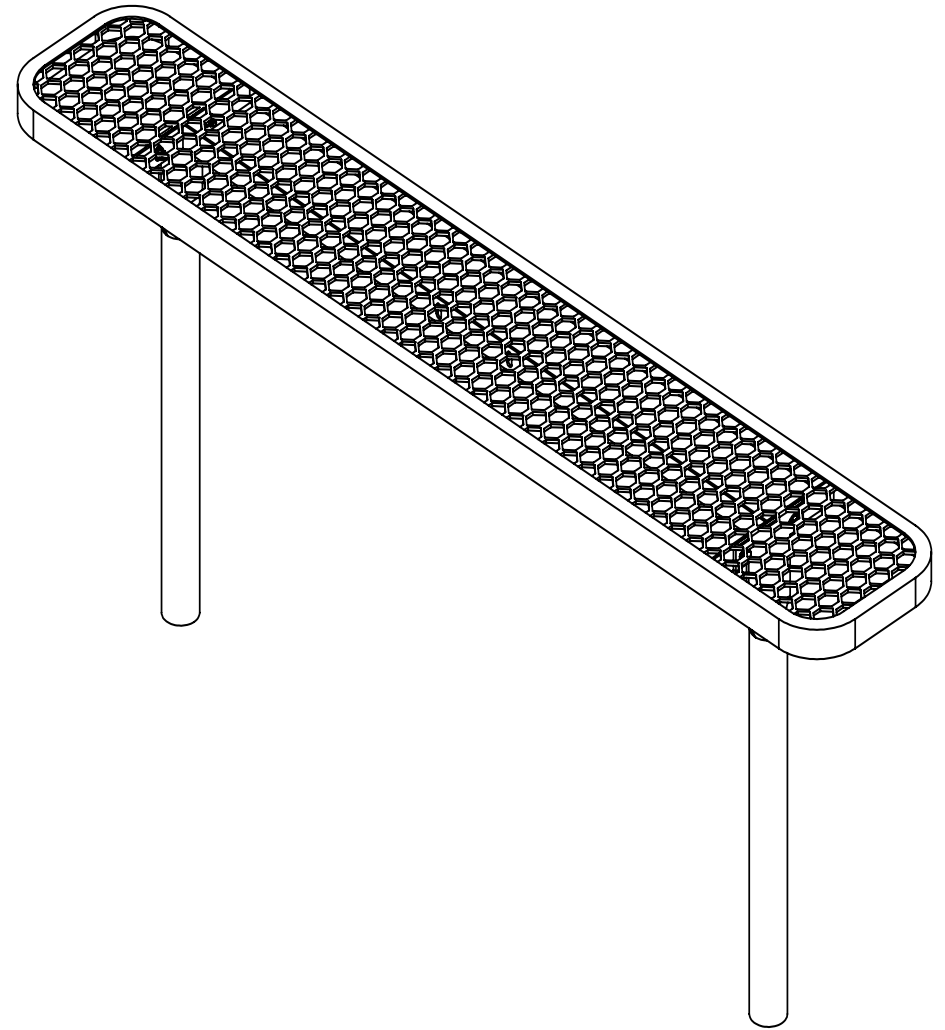
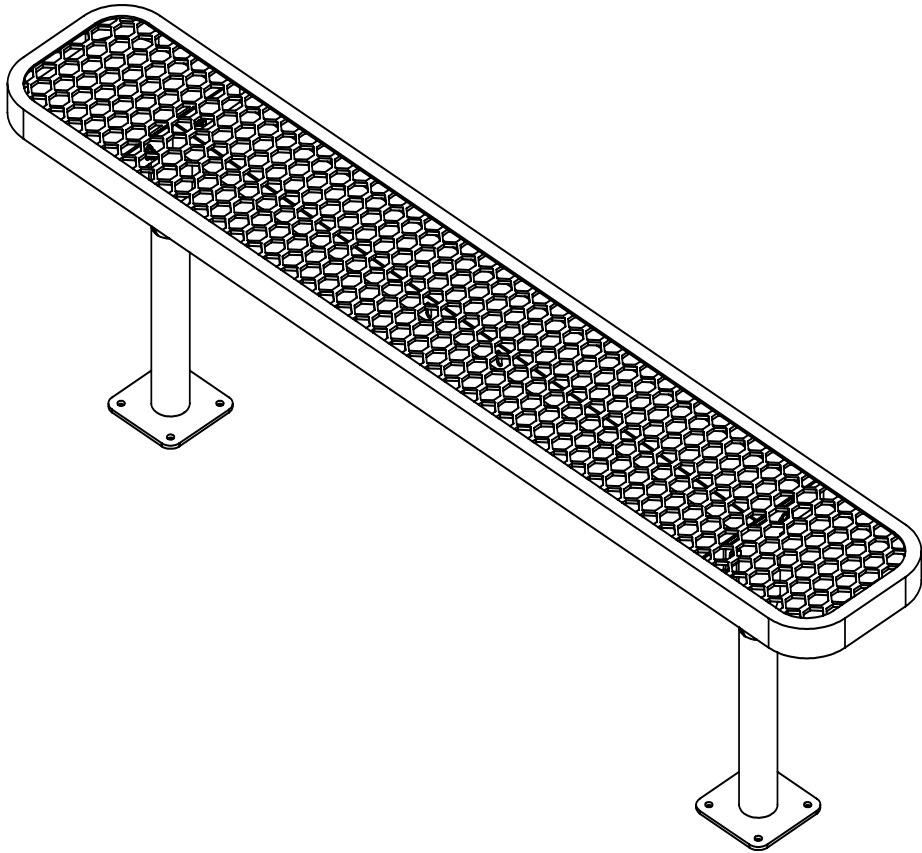


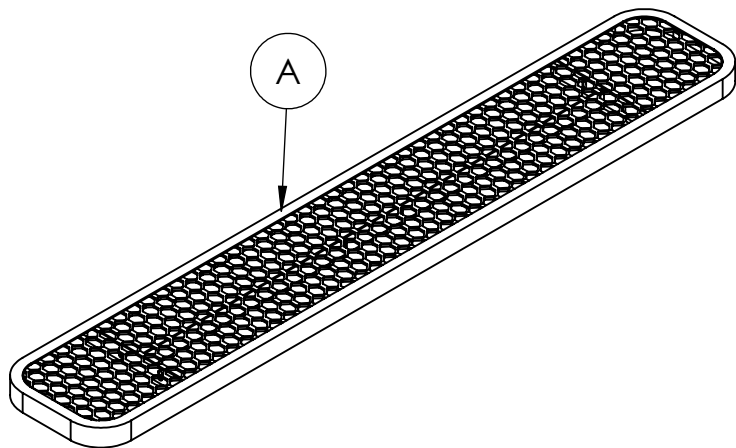
INSTRUCTIONS

6 FT & 8 FT Backless Benches, Inground & Surface Mount

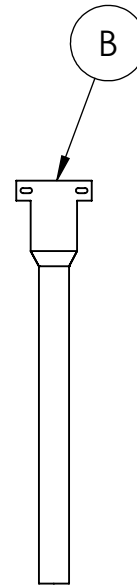


INSTRUCTIONS

Inground Mount

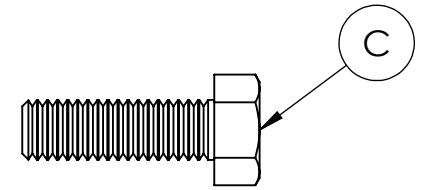


1
Seat

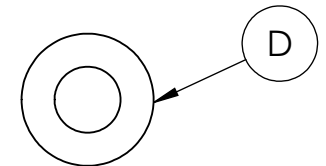


2
Bench Ends

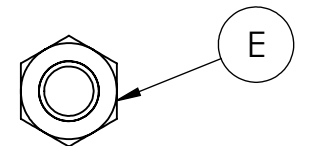
HARDWARE



4
M8 x 25
Hex Head Bolts



8
M8 Flat Washer



4
M8 Hex Nut

REQUIRED TOOLS (NOT INCLUDED)

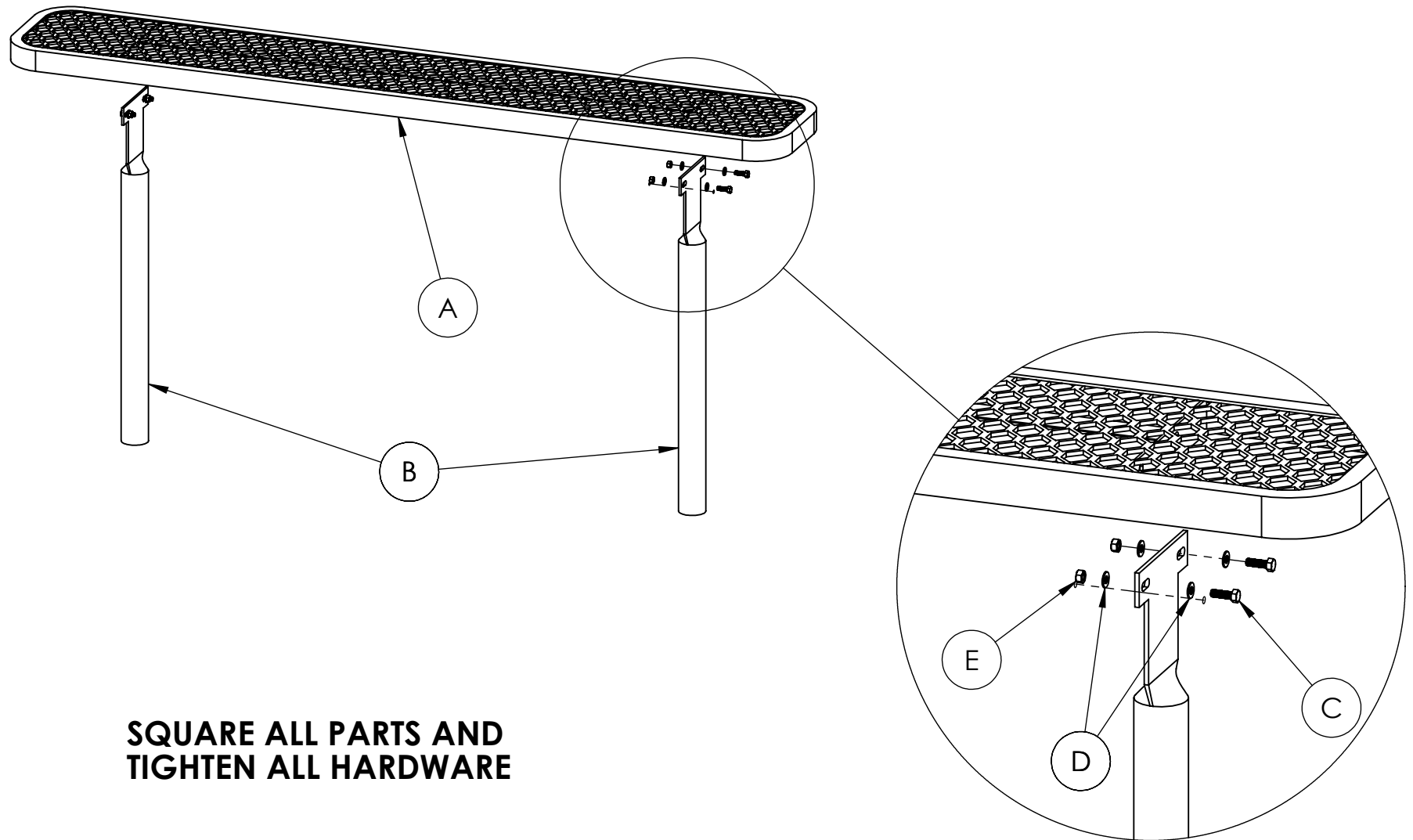
- 1 - 13MM WRENCH
- 1 - 13MM SOCKET

NOTE: IT IS IMPORTANT TO KEEP ALL BOLTS FINGER TIGHT DURING ASSEMBLY UNTIL ENTIRE UNIT IS ASSEMBLED

**HARDWARE &
TOOLS REQUIRED
FOR ASSEMBLY**

2/4

INSTRUCTIONS



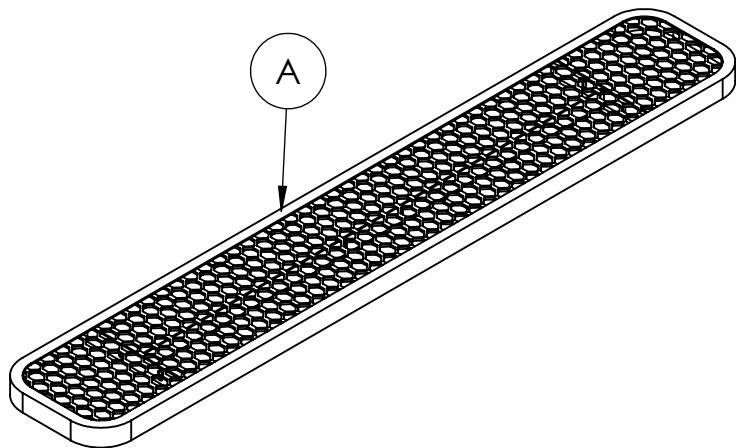
**SQUARE ALL PARTS AND
TIGHTEN ALL HARDWARE**

**ATTACH SEATS
TO BENCH ENDS**

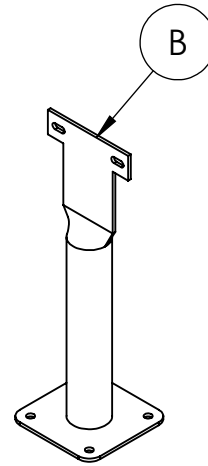
3/4

INSTRUCTIONS

Surface Mount

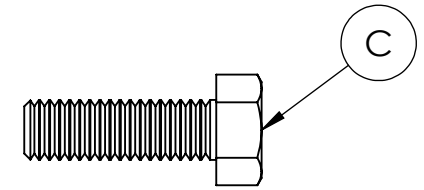


1
Seat

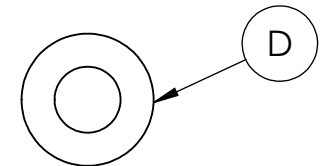


2
Bench Ends

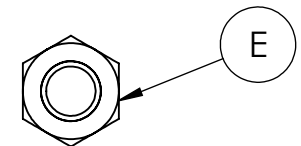
HARDWARE



4
M8 x 25
Hex Head Bolts



8
M8 Flat Washer



4
M8 Hex Nut

REQUIRED TOOLS (NOT INCLUDED)

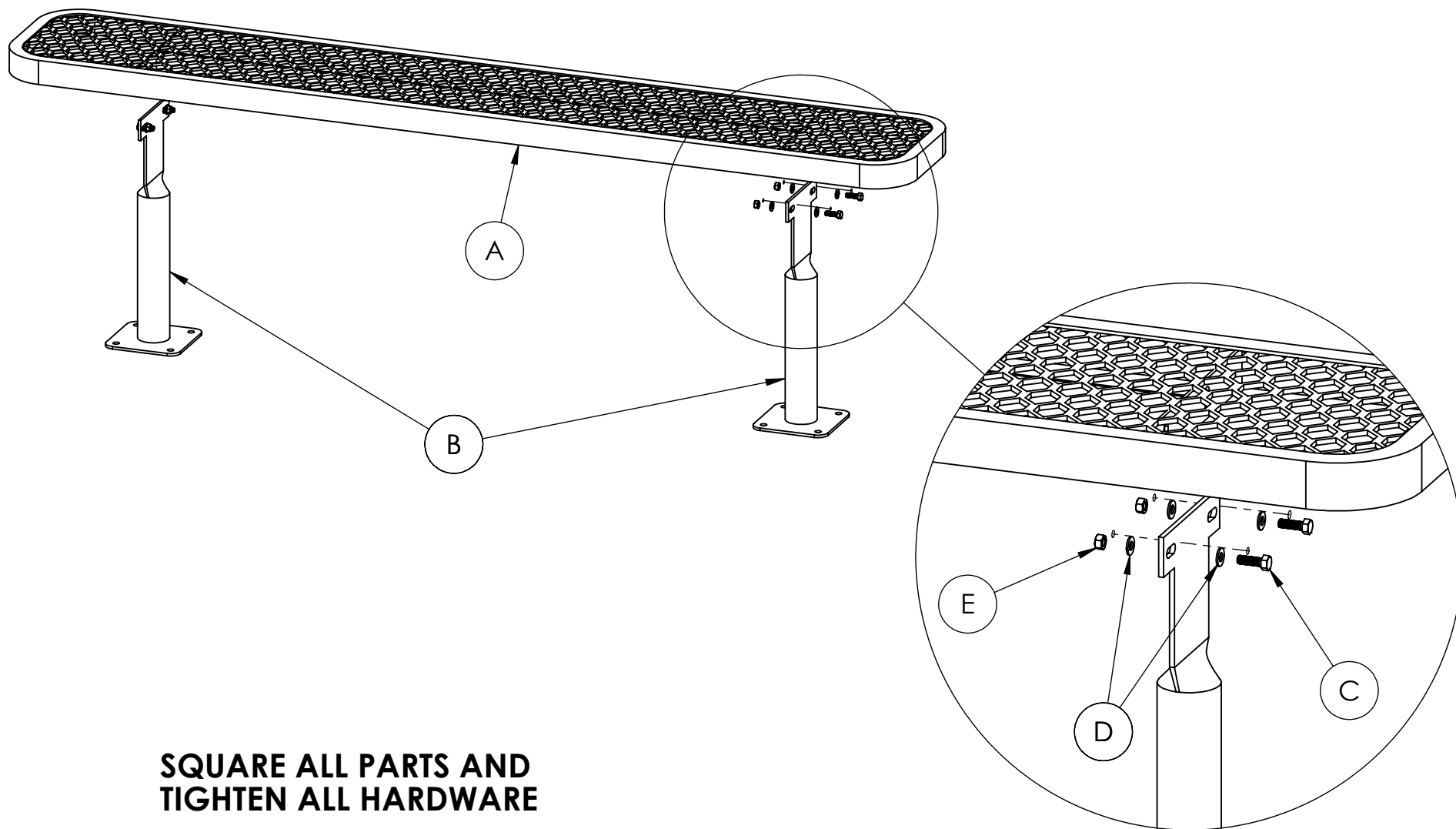
- 1 - 13MM WRENCH
- 1 - 13MM SOCKET

NOTE: IT IS IMPORTANT TO KEEP ALL BOLTS FINGER TIGHT DURING ASSEMBLY UNTIL ENTIRE UNIT IS ASSEMBLED

**HARDWARE &
TOOLS REQUIRED
FOR ASSEMBLY**

2/4

INSTRUCTIONS



**SQUARE ALL PARTS AND
TIGHTEN ALL HARDWARE**

**ATTACH SEATS
TO BENCH ENDS**

3/4