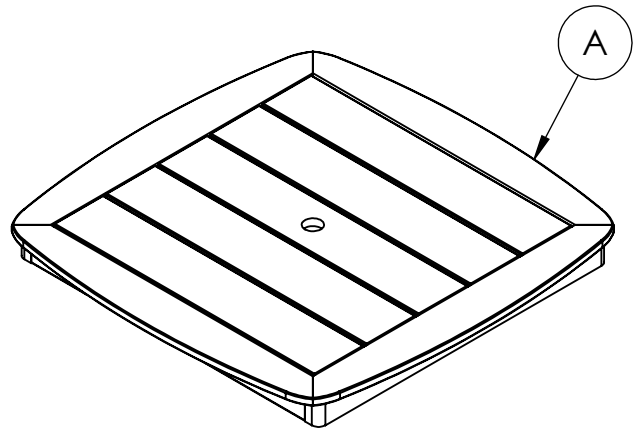


# TABLE INSTRUCTIONS

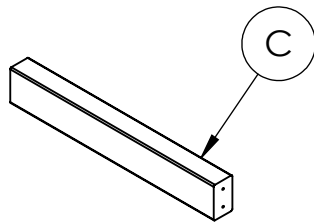
CF1245 REV# 2  
7-12-2017



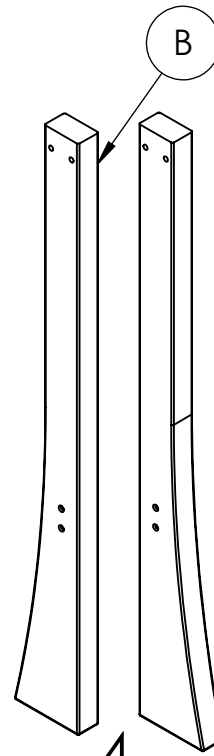
# TABLE INSTRUCTIONS



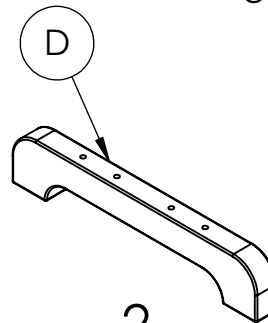
1  
Table Top Assembly



2  
Cross Braces



4  
Table Legs

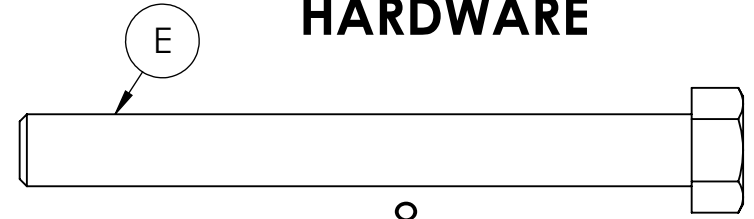


2  
Table Foot

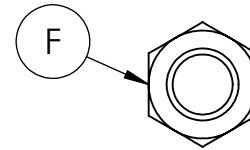
## REQUIRED TOOLS (NOT INCLUDED)

- POWER DRILL
- #2 SQUARE DRIVE
- (2) 9/16 WRENCH OR SOCKET

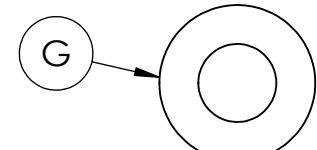
## HARDWARE



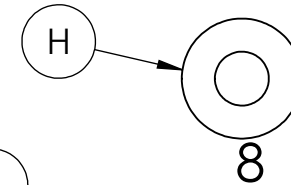
8  
3/8" x 3.5" Hex Head Bolts



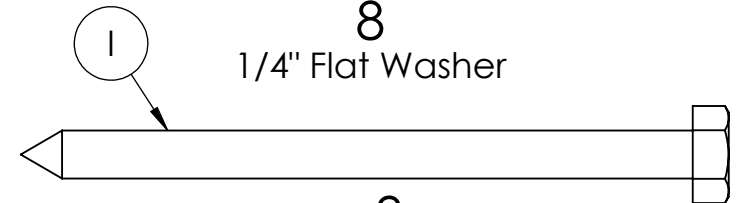
8  
3/8" Hex Nuts



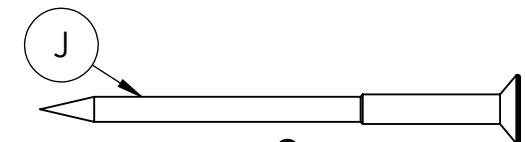
16  
3/8" Flat Washer



8  
1/4" Flat Washer



8  
1/4" x 3.5" Lag Screw



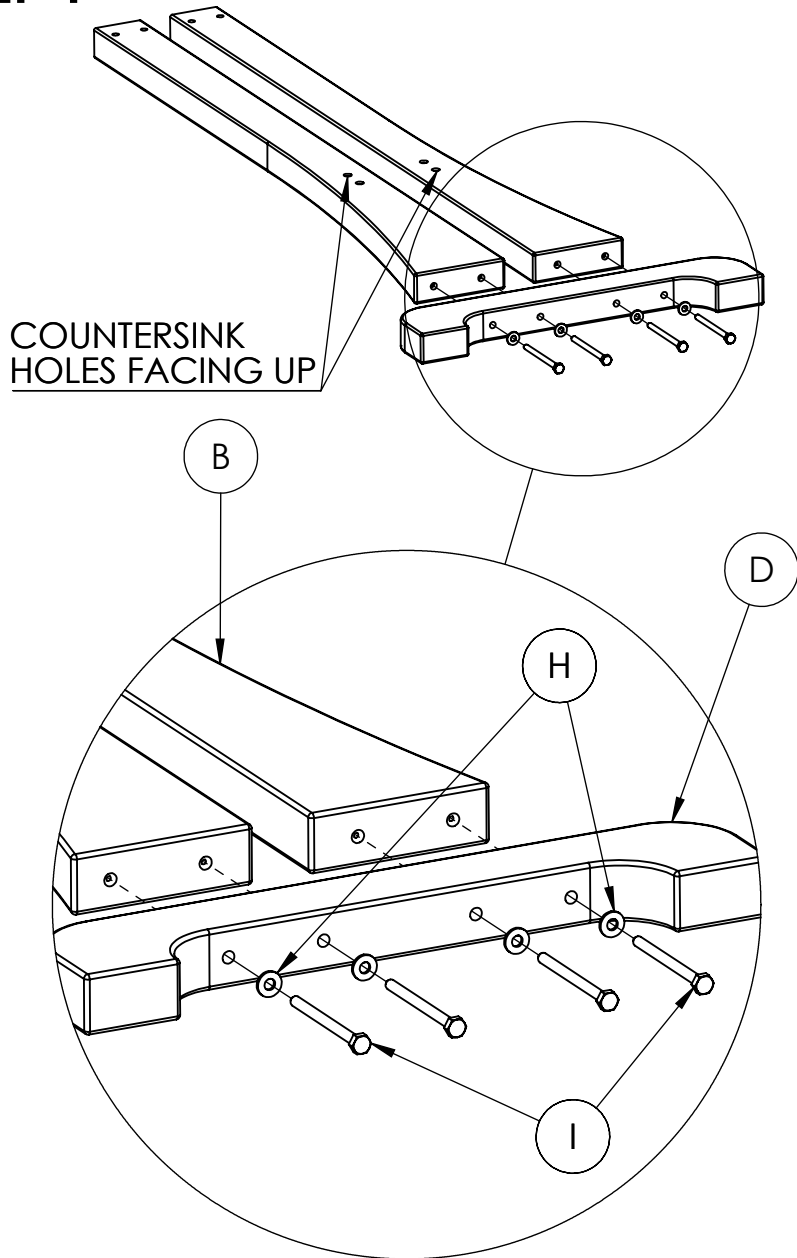
8  
#10 x 2.5 Flat Head Screw

**HARDWARE &  
TOOLS REQUIRED  
FOR ASSEMBLY**

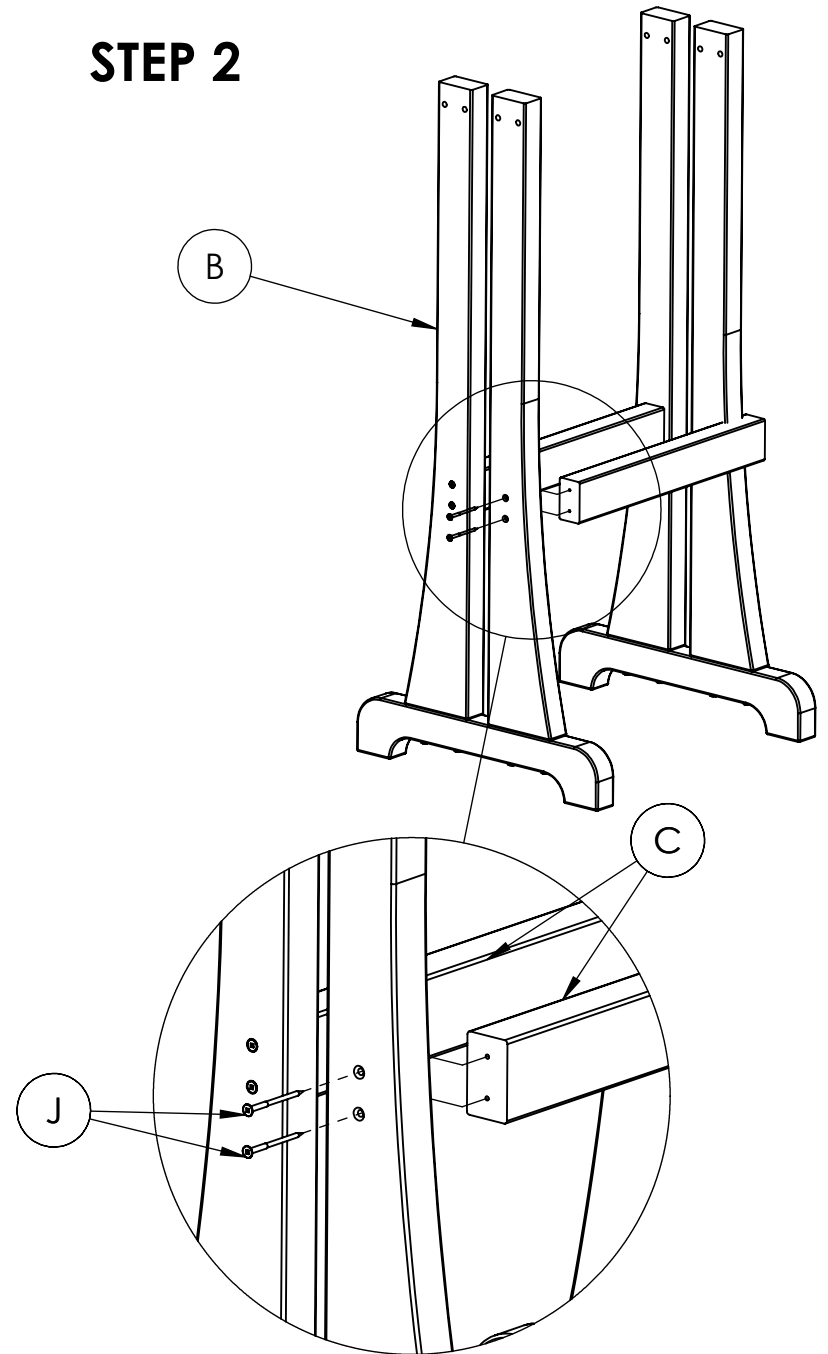
**2/5**

# TABLE INSTRUCTIONS

## STEP 1



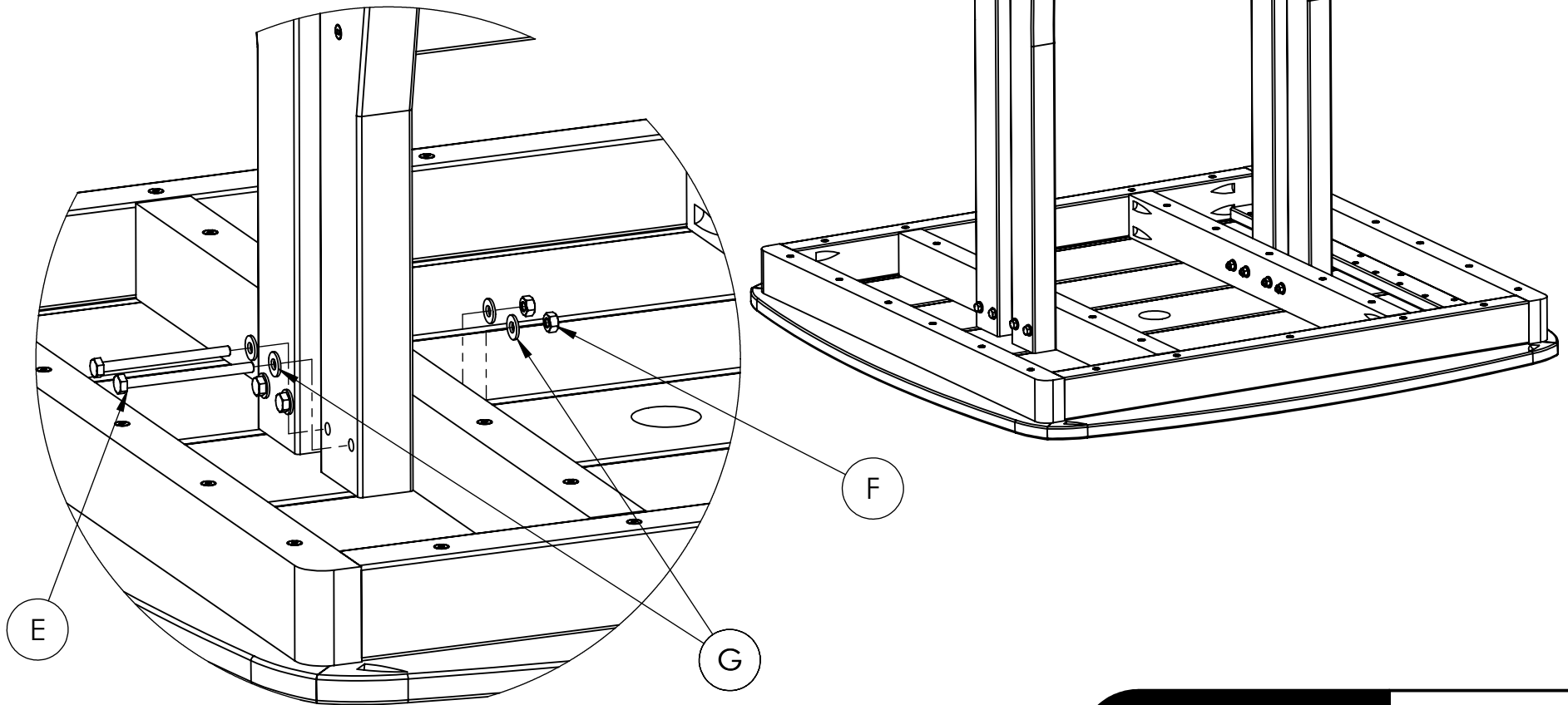
## STEP 2



# TABLE INSTRUCTIONS

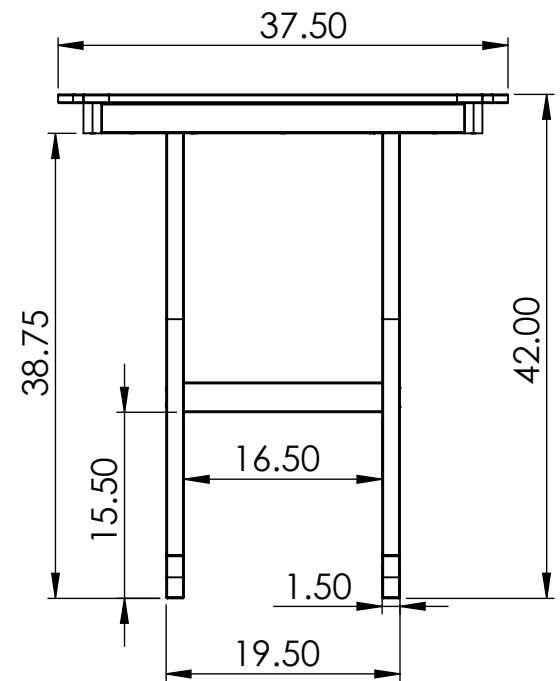
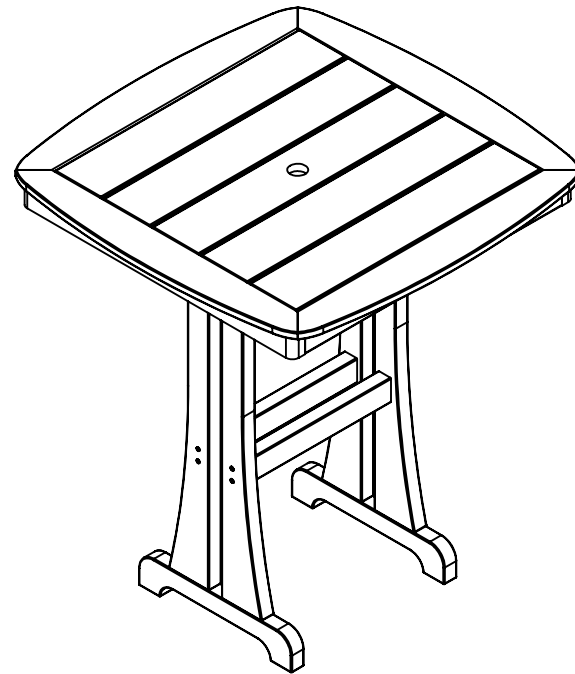
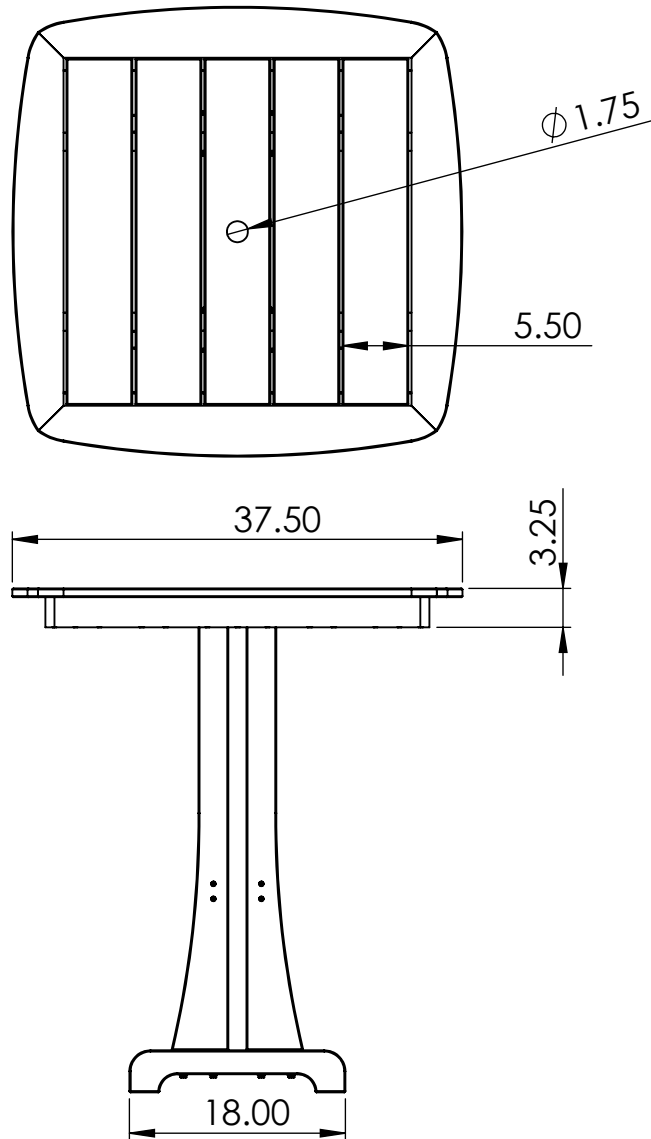
## STEP 3

- Attach leg assembly with table upside down - **leave bolts loose.**
- Flip table right side up then fully tighten all bolts.



# TABLE SPECIFICATIONS

CF1245 REV# 2  
7-12-2017



**CONSTRUCTION MATERIALS:**  
Recycled Plastic  
**HARDWARE:**  
Stainless Steel

ALL DIMENSIONS SHOWN IN INCHES