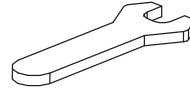


# Assembly Instructions page 1

## Tools (included)

Wrench  
QUANTITY: 1

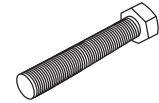


## Hardware

**A** Metal Washers  
QUANTITY: 8



**B** Bolts  
QUANTITY: 8

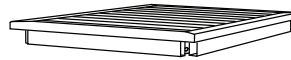


NOTE: Table top may vary from illustrations but the assembly is the same

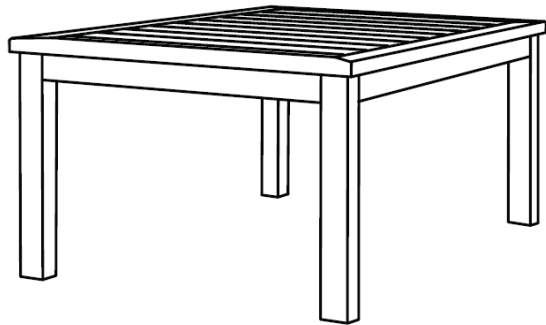
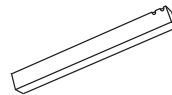
NOTE: Hardware pack may contain extra hardware.

## Components

**1** Table Top Assembly  
QUANTITY: 1

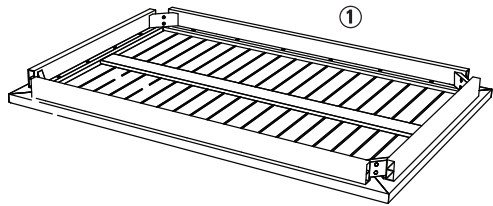


**2** Corner Posts  
QUANTITY: 4

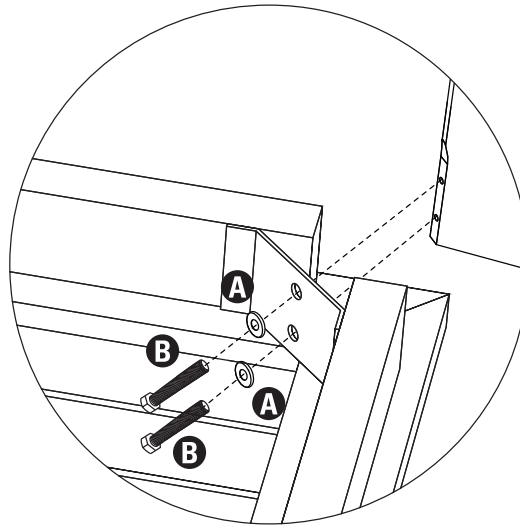


**Step 1**

On a clean flat surface, lay table ① top upside down.

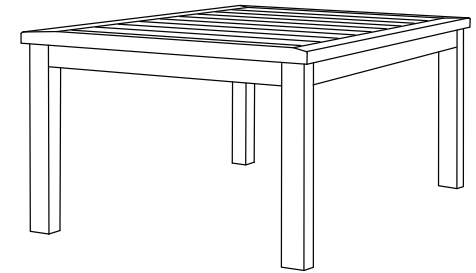


**Step 2 (detail)**



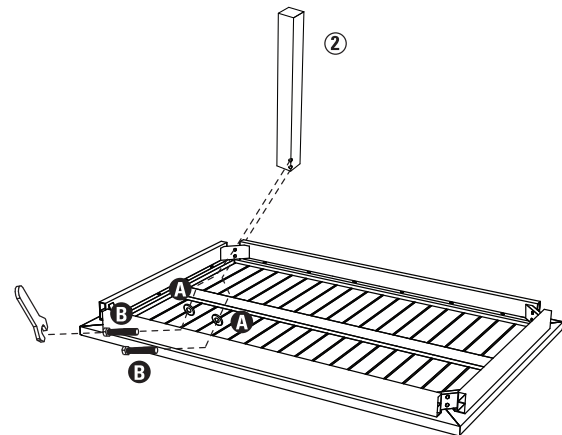
**Step 4**

Carefully turn the assembled table in an upright position.



**Step 2**

Using the provided wrench, secure corner post ② to the table top using two metal washers **A** and two bolts **B**.



**Step 3**

Repeat step 2 for the remaining 3 corner posts.