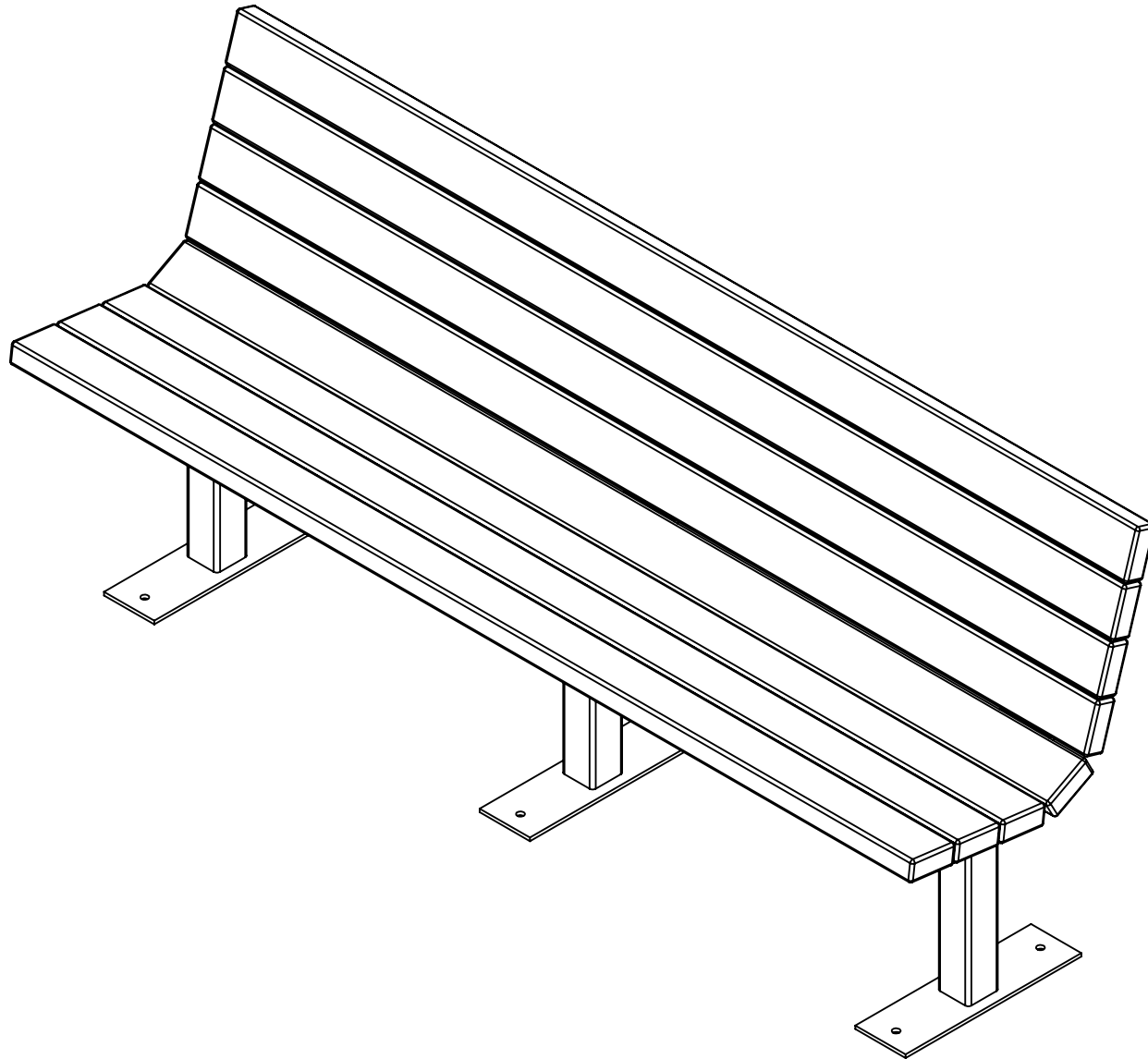
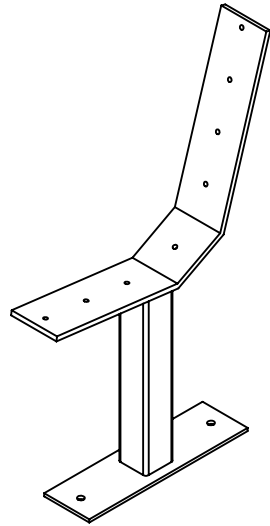


BENCH INSTRUCTIONS

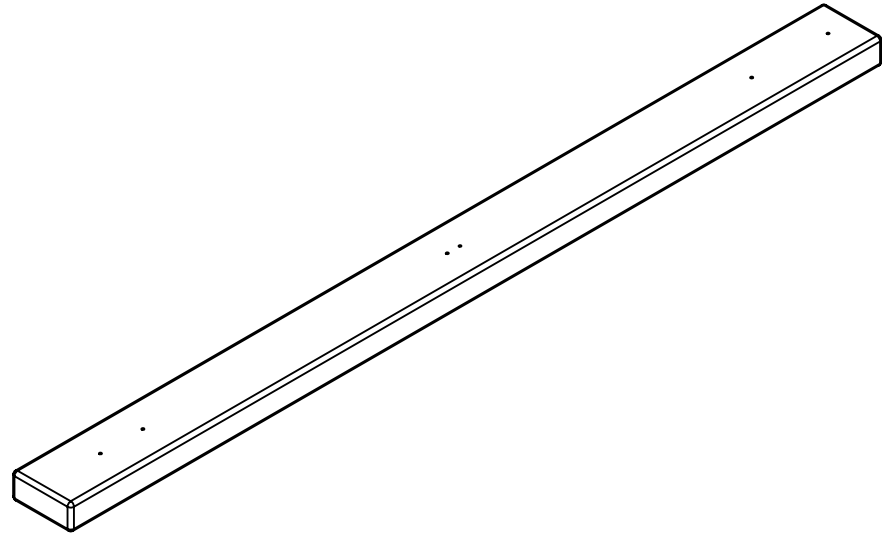
BC1300 REV# 1
BC1301
BC1302
BC1303



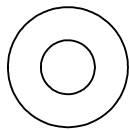
BENCH INSTRUCTIONS



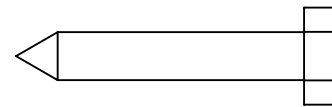
BENCH END
ABC-SSI1015
X3



SEAT SLAT
X8



1/4" FLAT WASHER
X24
F0001

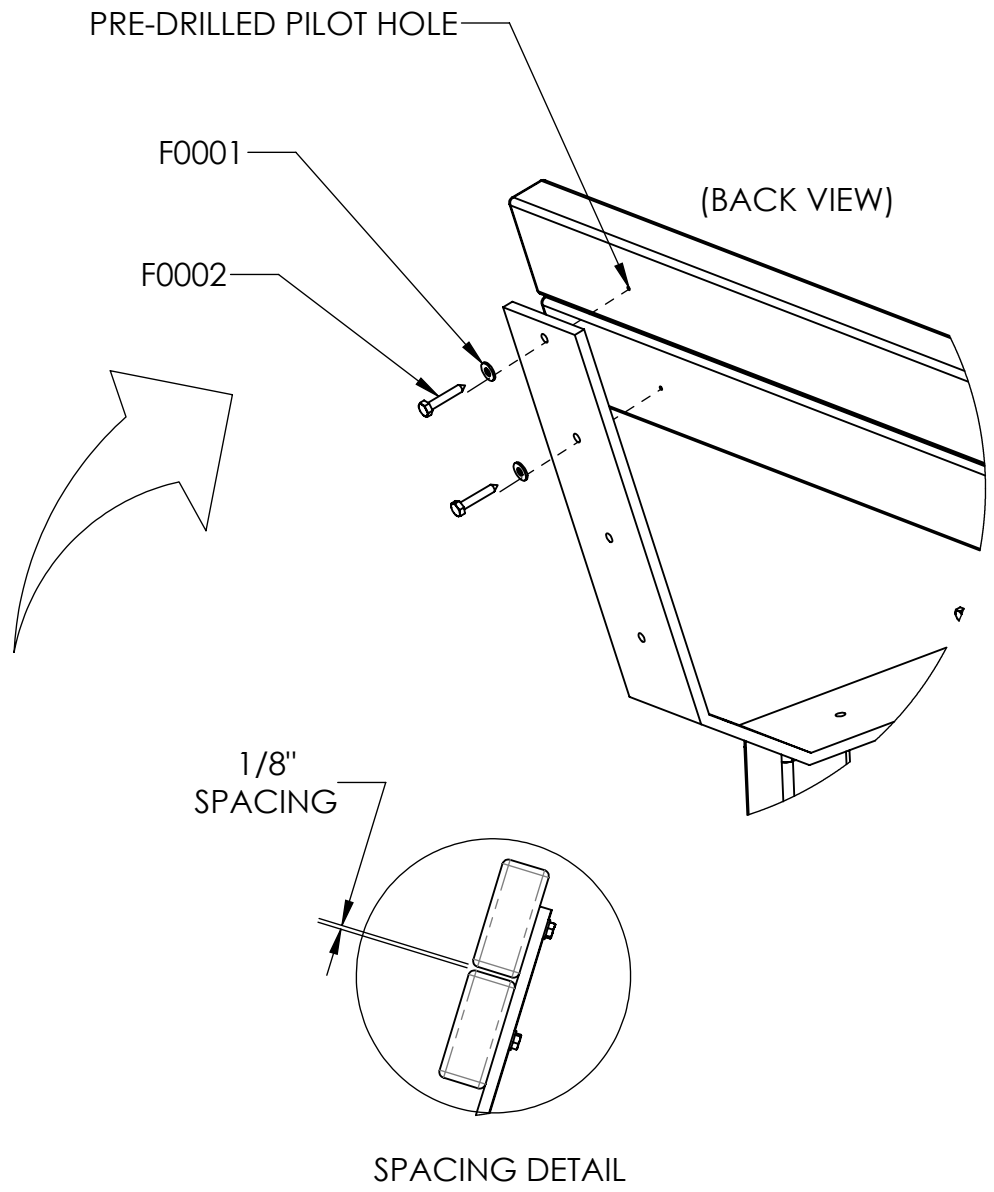
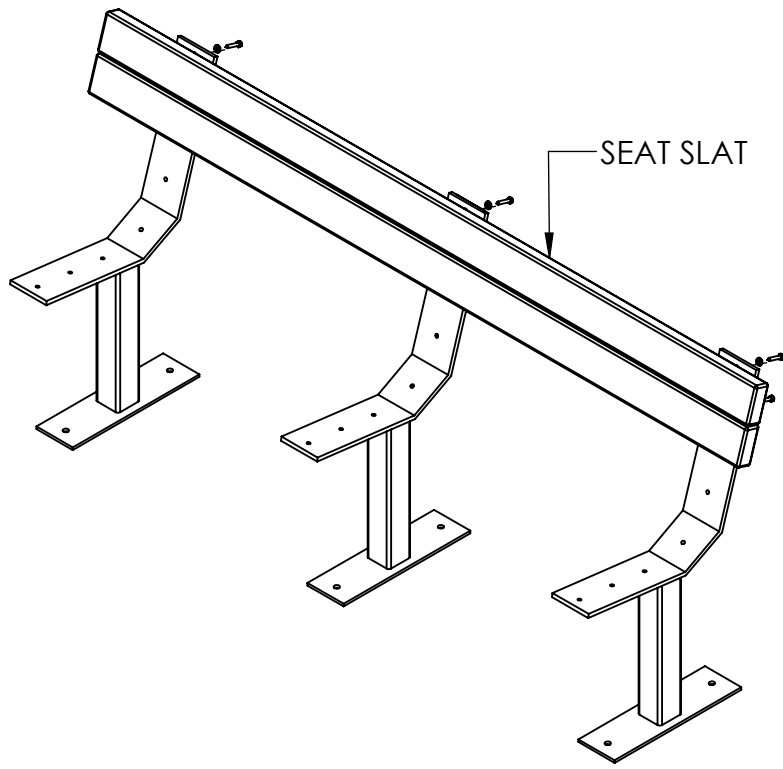


1/4" X 1.50" LAG SCREW
X24
F0002

REQUIRED TOOLS:
-(1) SCREW GUN
-(1) 7/16" SOCKET

**INCLUDED HARDWARE &
REQUIRED TOOLS FOR
ASSEMBLY**

BENCH INSTRUCTIONS



**KEEP SPACING BETWEEN BOARDS
APPROXIMATELY 1/8"**

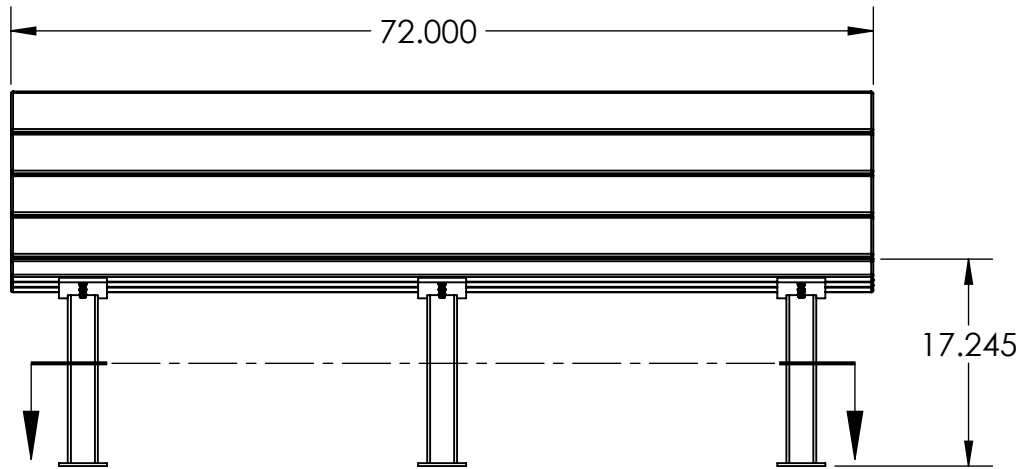
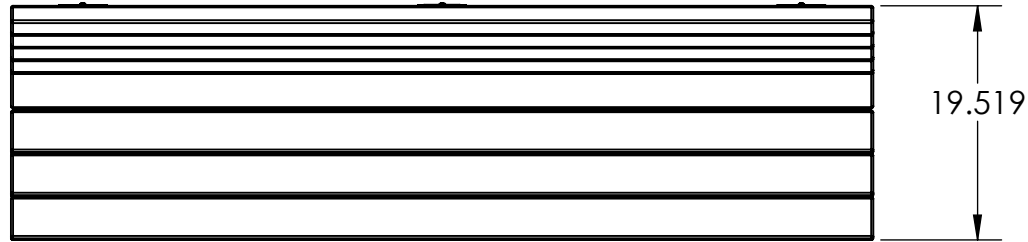
**REPEAT STEPS FOR REMAINING SEAT
SLATS**

BENCH SPECIFICATIONS

ALL DIMENSIONS SHOWN IN INCHES

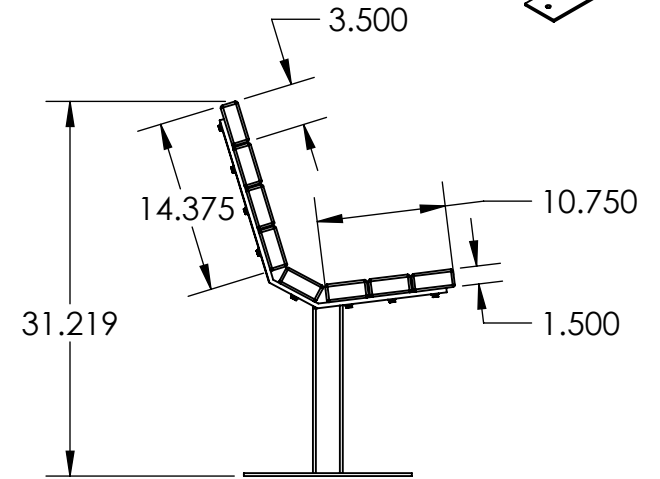
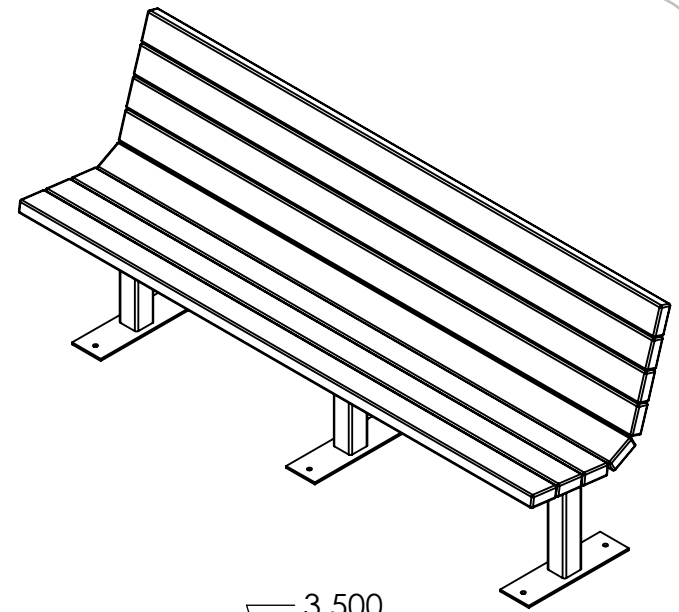
BC1300
BC1301
BC1302
BC1303

TOP VIEW



MOUNTING
DETAIL

MOUNTING
DETAIL



CONSTRUCTION MATERIALS:
Recycled Plastic, Powder Coated Steel
HARDWARE:
Stainless Steel

MOUNTING
DETAIL

